

UltraSecure™ 3000 FV

The Ultimate in High Speed Doors

ALBANY
DOOR SYSTEMS
A company of Albany International Corp.

The Clear Choice for
Design and Performance.



UltraSecure 3000 FV. Fast. Safe. Stylish.

From the world's largest manufacturer of high speed industrial doors.

Sophisticated design and impressive speed meet superior safety and visibility in the UltraSecure 3000 FV.

Sleek Style with Advanced Design

The "full view" panels on the UltraSecure 3000 FV are made of clear polycarbonate glass to provide natural light and create a quality environment for employees and customers alike. The bold, eye-catching design includes performance features that add value and ensure safety.

- **Over 70% transparency** - increases safety by providing a clear view of traffic on both sides of the door.
- **Clear polycarbonate panels** - offer the proven benefits of natural daylight which include both energy savings and increased worker satisfaction and productivity.
- **Patented DiscDrive design** - assures no metal-on-metal contact; a minimal number of moving parts means lower costs on maintenance and operation.
- **UltraLift belt design** - lets you replace damaged slats in minutes while keeping the door operational.

Maximum Speed with Precision Performance

The UltraSecure 3000 FV offers security and protection for employees and equipment. Plus, it boosts energy and productivity savings that can add up to thousands of dollars per year.

- **Rapid opening speeds** - up to 100" per second.
- **Advanced actuation devices** - allow for free-flowing movement without waiting for the door to open or close.

UltraSecure Applications

Automotive Distributors

Banking Distribution Centers

Government Facilities

Parking Facilities

Limitless Options

- **CarGuard Safety Light system** - virtually eliminates the possibility of injury to people or damage to vehicles; light barrier offers doorway protection up to approximately six feet.
- **Less air infiltration** - doors open on average in less than two seconds; the ultra-tight, no leak perimeter seals help prevent any airflow when the door is closed, saving energy and money.
- **MCC VectorControl** - gives step-by-step instructions for troubleshooting the door, making it almost effortless to own and maintain.
- **Wind resistant** - doors are rated to withstand wind pressure of up to 90mph for doors ≤ 11.5 ft. and up to 75 mph for doors 11.5 ft. $< DW \leq 16.4$ ft. in the closed position.

Albany's Exclusive Warranty

5-year or 1,000,000 cycle limited warranty on all UltraSecure drive systems. 2 years for all other mechanical and electrical components and 1 year for labor.

Lower Total Cost of Ownership

The UltraSecure 3000 FV adds considerable value to your top and bottom line. You'll increase productivity, reduce energy loss, decrease maintenance and improve workflow.

For more information, visit www.albanydoors.com and see how the UltraSecure 3000 FV delivers security, luxury style, and phenomenal speed and performance like no other conventional or high speed door can.

UltraSecure 3000 FV Technical Information

Opening and Closing Speeds

Opening up to	100" per second
Closing up to	24" per second

Door Dimension

Max. Height	16.4 ft (5,000mm)
Max. Width	16.4 ft. (5,000mm)
Min. Height	6 ft. (1,829mm)
Min. Width	6 ft. (1,829mm)

Safety Features

Photo Eye	Standard
CarGuard Light Curtain	40 infrared thru-beam optical sensors
Wireless Safety System	No coil cords
Bottom Beam	Fail safe electric safety edge

Door Panel

Anodized Aluminum Slats	EPDM rubber connection
UltraLift Belts	No hinges or rollers. Door can run if slat is missing
Counterbalanced	Standard
Polycarbonate Glass Panels	Standard

Door Components

Side Frames	11 gauge galvanized steel sections
BacOut Manual Release	Standard
DiscDrive	Reduces wear, vibration and noise
Top Roll	Gavannealed steel

Control and Drive System

MCC VectorControl	Variable frequency drive with soft start/soft stop and absolute encoder. 24V DC, UL approved
Input Voltage	208-240 V, 440-480 V, 575-600 V
Motor	Up to 1.5-Hp, 3 phase, 60 Hz, 10 amps
Limits adjustment	At controller
Protection	IP 55
Wind Resistance (in closed position)	Up to 21 psf (90 mph) for doors ≤ 11.5 ft Up to 14.6 psf (75 mph) for doors 11.5 ft $< DW \leq 16.4$ ft

We offer various options and actuation devices for all Albany High Performance Doors.



Stack-Free DiscDrive Design

Patented design reduces wear, vibration and noise.



MCC VectorControl

Troubleshooting is easy using the control screen. VectorControl technology improves performance, and reduces maintenance costs.



Clear Polycarbonate Panel

Clear panel allows traffic to be seen from both sides of the door.



UltraLift Belt Design

Individual slats are mounted to a high-strength belt that eliminates the need for hinge connections and rollers. Fewer parts mean less maintenance.



UltraEasy Slat Design

Save time with the UltraEasy Slat Design by taking just minutes to replace slats while the door remains operational.



BacOut™ Safety System

In the event of a power outage the manual release handle enables the door to be opened.



Wireless Safety System

Albany's Wireless Safety System eliminates costly repairs and downtime associated with coil cords.



CarGuard Safety System

Intelligent safety light system eliminates injury to people and damage to vehicles. This light barrier offers doorway protection up to approximately six feet.



= Savings = Lower Maintenance = Increase Productivity = Enhance Safety = Increase Security = Fast

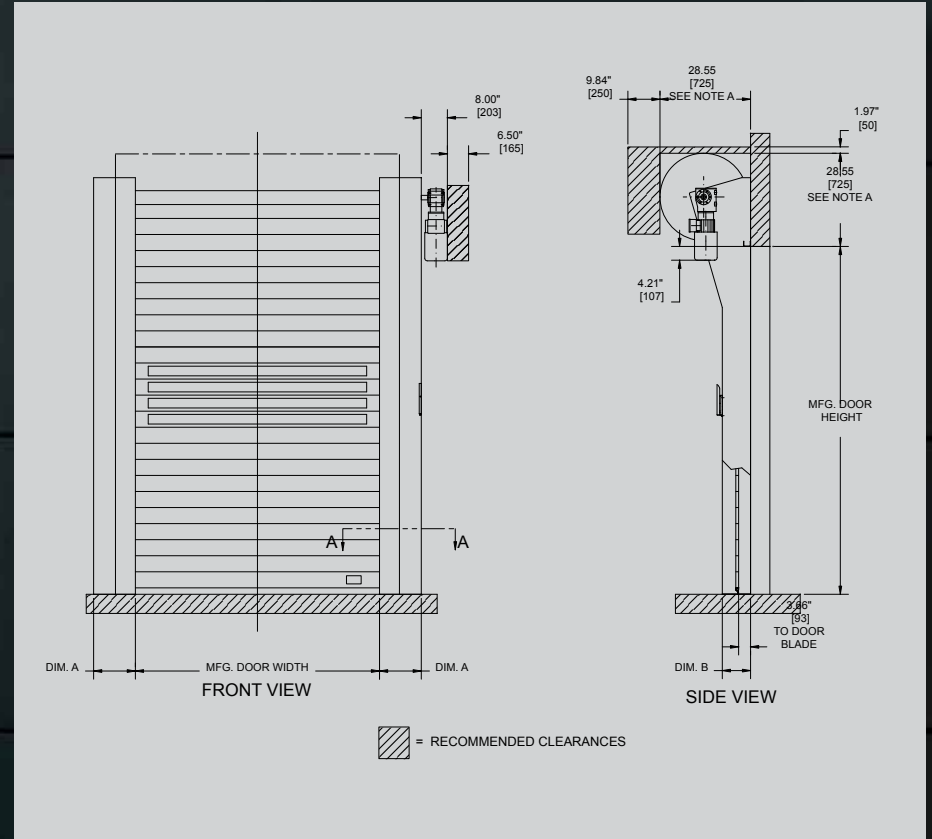
Photo may include additional options.



Automotive Distribution



Automotive Distribution



Albany Door Systems

975A Old Norcross Road
Lawrenceville, GA 30046
Toll Free: (800) ALBANY1 (252-2691)
Phone: (770) 338-5000
Fax: (770) 338-5024
sales@albanydoors.com
www.albanydoors.com

Follow us on [facebook](#) and [YouTube](#)

©2011, Albany International Corp. • www.albint.com • All rights reserved.
Albany Door Systems - A Company of Albany International Corp.
Asia | Australia | Austria | Belgium | Canada | China | Denmark | France | Germany | Latin America |
Netherlands | Norway | Poland | Sweden | Switzerland