

UltraCool

The Ultimate in High Speed Doors

**Takes the chill
out of downtime**

ALBANY
DOOR SYSTEMS
A company of Albany International Corp.



UltraCool. The toughest, most reliable high speed cold storage door.

From the world's largest manufacturer of high speed industrial doors.

For high fork-truck traffic and high temperature differentials the UltraCool reliably delivers energy-saving speed of 100 inches per second. You'll save on energy and maintenance costs without compromising safety or operational efficiency.

Higher Performance – Lower Costs

UltraCool is engineered for installation, operation and maintenance ease. Spend more time doing and less time fixing with cost-saving features including:

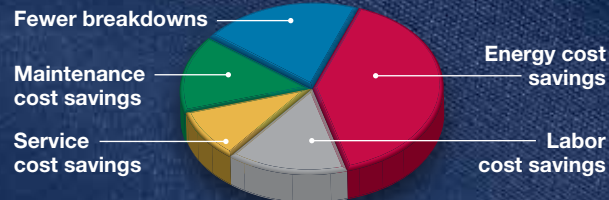
- Opening Speeds of 100" per second
- BacFlap™ Auto-reset System – break-away bottom beam prevents door panel tears and automatically resets itself after impact
- Patent-pending modular design – makes maintenance and field repair faster and easier

Stability in Fluctuating Temperatures

Seal in energy savings and food product shelf-life

- BacSeal™ Weather Seal provides double seal on top and sides for double protection against energy loss
- Opens at high speed... closes at safe speed to minimize temperature fluctuation

AVERAGE ANNUAL COST SAVINGS OF \$6,000



UltraCool Applications

- Food & Beverage Distribution
- Food & Beverage Processing
- Food & Beverage Warehousing
- Grocery Facilities

Keep workers safe and more productive

The UltraCool helps reduce lost-time accidents and is easy to learn and operate.

- UltraSmart™ Controller – early detection and faster repair; tells operators what's wrong and how to fix it
- Wireless Safety System – eliminates coil cords plus the high maintenance costs and lengthy downtime associated with them
- BacTrac™ Soft Bottom Bar – protects workers from even the slightest contact, which automatically reverses the door to the open position

Optional safety features make UltraCool... ultra safe

- BacLight™ Safety Light Curtains – exclusive 6-foot high field of infrared beams sense interruption and automatically reverse door to the open position
- BacOut™ Safety System – easily accessible brake release automatically raises the door in an emergency

Lower total cost of ownership

The UltraCool adds considerable value to your top and bottom line. You'll increase productivity, reduce energy loss, decrease maintenance and lost-time incidents plus improve workflow.

For a free demo, visit www.albanydoors.com and click the "Interactive Demo" button. See for yourself how the UltraCool has the speed, performance and safety that withstand the rigors of a high-traffic, cold storage area like no conventional or high-speed door can.

UltraCool Technical Information

Opening and Closing Speeds	
Opening up to	100" per second
Closing up to	24" per second
Door Dimension	
Max. Height	18 ft (5,486mm)
Max. Width	12 ft (3,657mm)
Min. Height	7 ft. (2,133mm)
Min. Width	3 ft. (914mm)
Safety Features	
Photo Eye	Standard
BacLight Safety System	Optional – light barrier up to six feet tall
Wireless Safety System	No coil cords
BacTrac Bottom Beam	Soft bottom bar has fail-safe electric safety edge
BacOut Safety System	Optional - Brake release automatically raises door during power outage
Door Panel	
2-ply	Woven monofilament polyester PVC impregnated panel material. Optional - 3 ply
Windows	Optional – 17" x 17" or 24" x 24" PVC windows
Door Components	
Side Frames	Self supporting 5" x 6" aluminum side frames
BacFlap Auto-Reset System	Door resets after impact
Sealing	Double weather seals on header and side frames
Covers	Optional – top roll and motor covers
Control and Drive System	
UltraSmart Controller	Variable frequency drive with soft start / soft stop and absolute encoder. 24V AC, UL listed
Input Voltage	208-240 V, 440-480 V, 575-600 V
Motor	Up to 3-Hp, 3 phase, 60 Hz, 20 amps
Limits Adjustment	At controller
Protection	NEMA 4
Wind Resistance	
Wind rib reinforcement	

We offer various options and actuation devices for all Albany High Speed Doors.



BacSeal™ Weather Seal

Provides double seal on top and sides for double protection against wind and energy loss.



BacOut™ Safety System (Optional)

In the event of a power outage, convenient break release raises the door.



UltraSmart™ Controller

Helps operators detect problems early and fix them faster for improved reliability and lower maintenance costs.



Wireless Safety System

Eliminates coil cords, high maintenance costs and lengthy downtime.



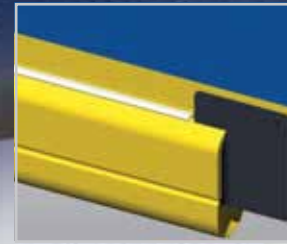
BacLight™ Safety Light Curtains (Optional)

Eliminate injury and damage with 6-foot high field of infrared beams that sense interruption and automatically reverse door to open.



BacFlap™ Auto-Reset System

Bottom bar breaks away and automatically repairs itself after accidental impact.



BacTrack™ Soft Bottom Bar

Significantly reduces injuries common with aluminum extrusions.



= Savings = Lower Maintenance = Increase Productivity = Enhance Safety = Increase Security = Fast



Cold Storage



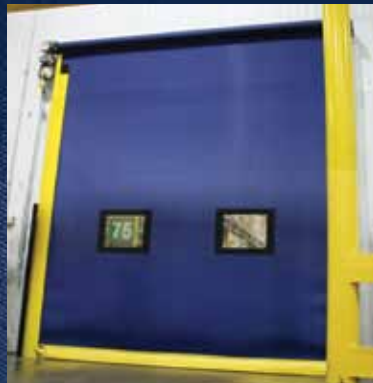
Distribution



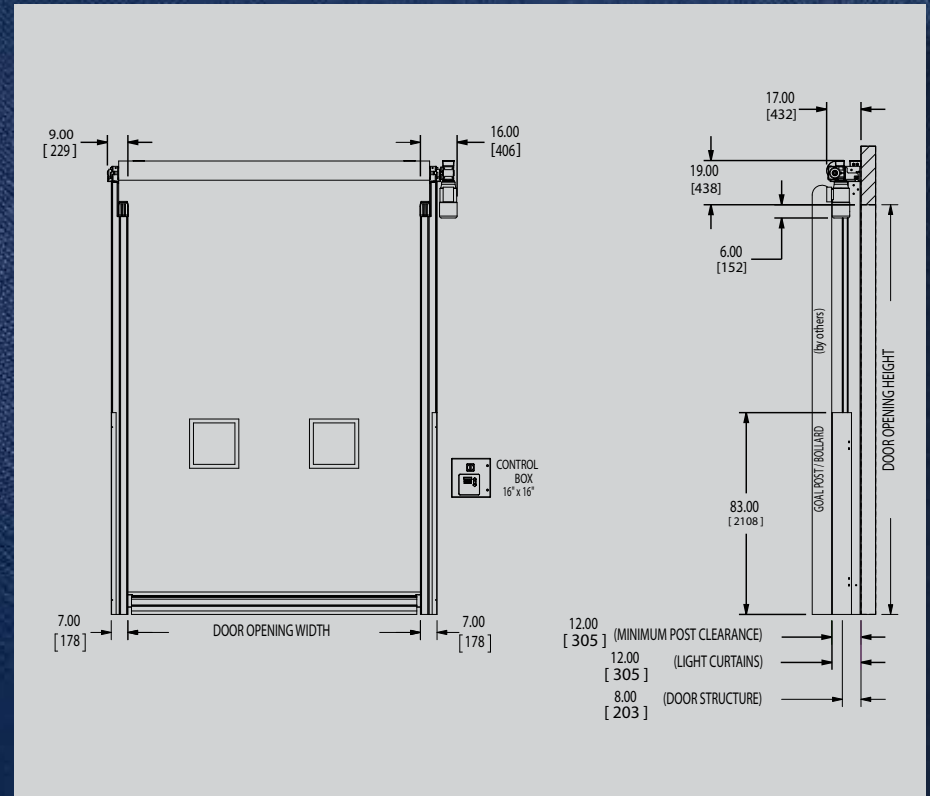
Distribution



Cold Storage



Warehousing



Albany Door Systems

Georgia Facility
975A Old Norcross Road
Lawrenceville, GA 30046

Toll Free: (800) ALBANY1 (252-2691)
Phone: (770) 338-5000
Fax: (770) 338-5024

Wisconsin Facility
1080 Maritime Drive
Port Washington, WI 53074

sales@albanydoors.com
www.albanydoors.com

Follow us on [facebook](#) and [YouTube](#)

©2010, Albany International Corp. • www.albint.com • All rights reserved.
Albany Door Systems - A Company of Albany International Corp.
Asia | Australia | Austria | Belgium | Canada | China | Denmark | France | Germany | Latin America | Netherlands | Norway | Poland | Sweden | Switzerland